

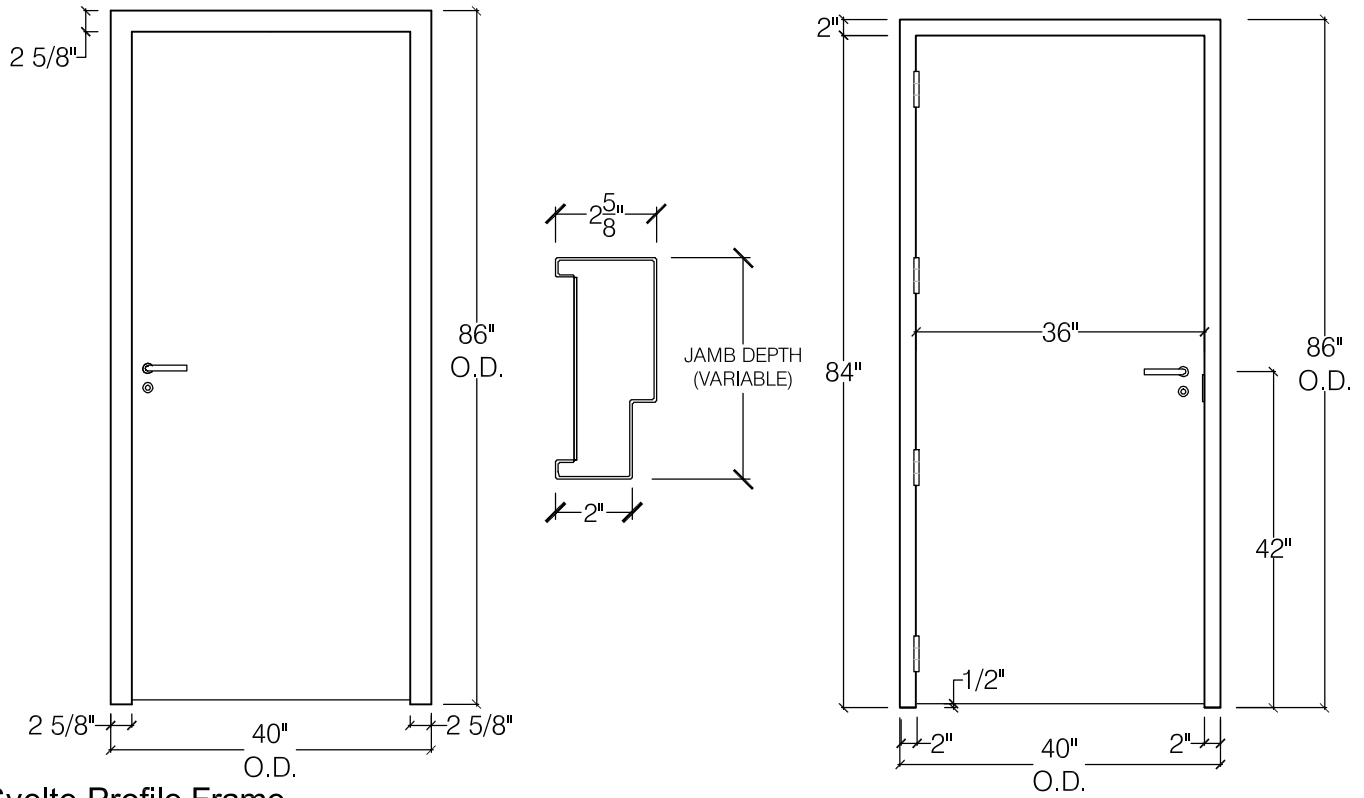
Frame Specifications

3'-0" X 7'-0" Door Shown

Door is undercut $\frac{1}{2}$ " from bottom of frame.

Bottom of door frame to be at finished floor height.

Standard Profile Frame



Svelte Profile Frame

